



## AD-333 Specifications

|  |                                    |                                |
|--|------------------------------------|--------------------------------|
| Tumbler Capacity (dry weight) (per pocket) | 30 lbs. (13.60 kg)                 |                                |
| Tumbler Diameter                           | 27-1/4" (69.21 cm)                 |                                |
| Tumbler Depth                              | 30" (76.20 cm)                     |                                |
| Tumbler Volume (per pocket)                | 10.1 cu ft (286 L)                 |                                |
| Tumbler/Drive Motor (per pocket)           | 1/2 hp (0.37 kW)                   |                                |
| Blower/Fan Motor                           | N/A                                |                                |
| Door Opening (Diameter)                    | 21-1/2" (54.61 cm)                 |                                |
| Door Sill Height                           | top pocket                         | 52-7/8" (134.3 cm)             |
|  | bottom pocket                      | 14-1/4" (36.2 cm)              |
| Dryers per 20'/40' Container               | 11 / 22                            |                                |
| Dryers per 48'/53' Truck                   | 30 / 33                            |                                |
| Width                                      | 29-3/4" (75.4 cm)                  |                                |
| Depth                                      | 52-1/4" (132.6 cm)                 |                                |
| Height                                     | 78-1/4" (198.8 cm)                 |                                |
| Airflow                                    | 60 Hz                              | 400 cfm (11.3 cmm)             |
|  | 50 Hz                              | 340 cfm (9.6 cmm)              |
| Exhaust Connection                         | 8" (20.32 cm)                      |                                |
| GAS MODEL:                                 | Voltage Available                  | 120-240v 1ø, 2w                |
|  | Approx. Net Wt.                    | 675 lbs. (306 kg)              |
|  | Approx. Ship Wt.                   | 710 lbs. (322 kg)              |
|  | Heat Input (per pocket)            | 72,000 btu/hr (18,143 kcal/hr) |
|  | Inlet Pipe Connection (per pocket) | 1/2" F.N.P.T.                  |

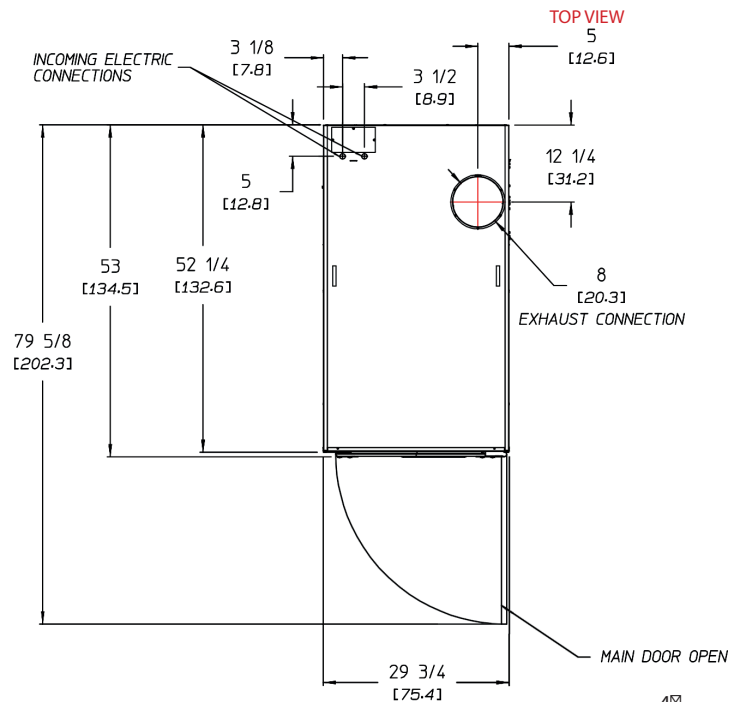
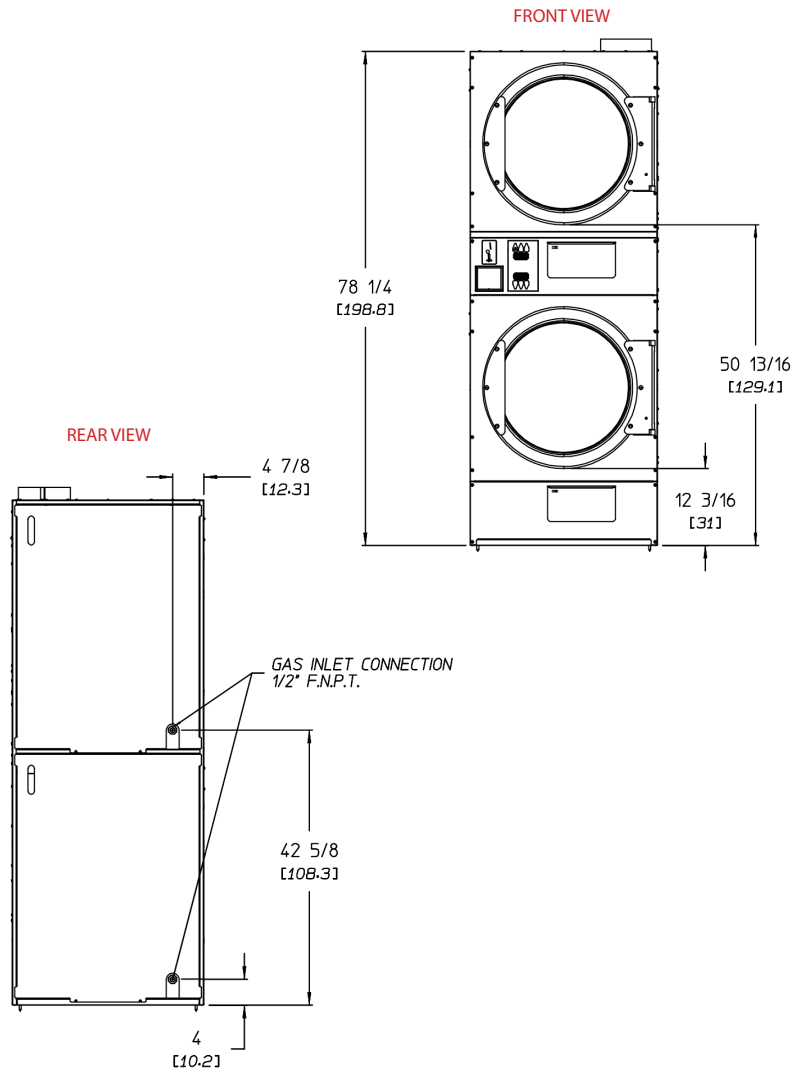
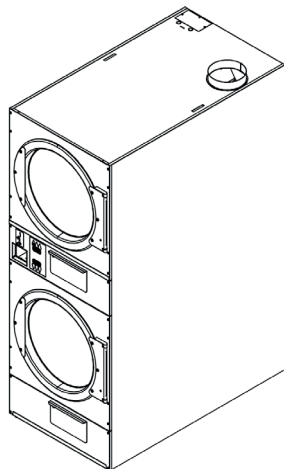
Specifications in parentheses are metric equivalents.

10/16

Electrical Specs are per pocket.

### Electrical Service Specifications

| GAS (Non-Reversing) |       |              |                 |       |                 |
|---------------------|-------|--------------|-----------------|-------|-----------------|
| SERVICE VOLTAGE     | PHASE | WIRE SERVICE | APPROX AMP DRAW |       | CIRCUIT BREAKER |
|                     |       |              | 60 Hz           | 50 Hz |                 |
| 120                 | 1ø    | 2            | 8.7             | --    | 15              |
| 208                 | 1ø    | 2            | 5.2             | --    | 15              |
| 220                 | 1ø    | 2            | 4.9             | 5     | 15              |
| 230                 | 1ø    | 2            | 4.8             | --    | 15              |
| 240                 | 1ø    | 2            | 4.8             | --    | 15              |



88 Currant Road, Fall River, MA 02720-478□