

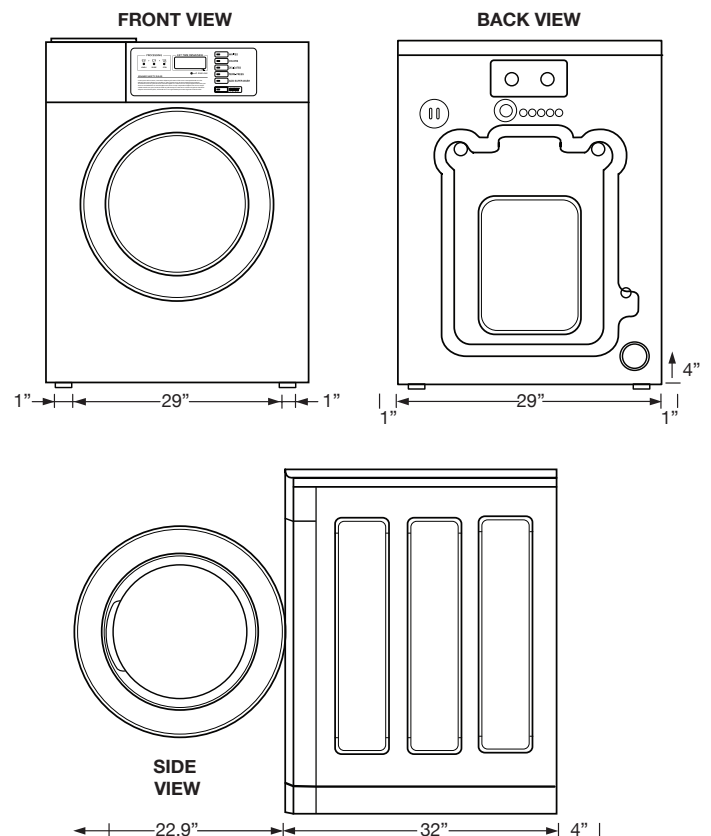
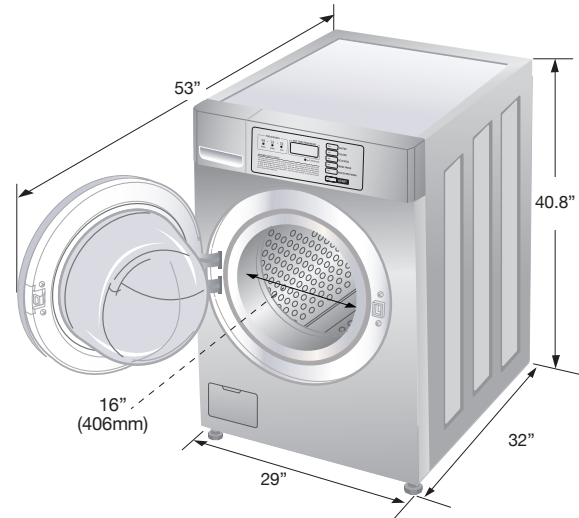
# Titan Pro Washer

## LG TITAN PRO WASHER

ARCHITECTURAL/MECHANICAL  
PRODUCT SPECIFICATIONS

### TCW2013

<i>CYLINDER</i>	
Capacity <i>lbs</i>	35
Cylinder Diameter <i>inch</i>	24
Cylinder Depth <i>inch</i>	20.4
Cylinder Volume <i>cu ft</i>	5.2
<i>DIMENSIONS &amp; WEIGHT</i>	
Net Weight <i>lbs</i>	221.8
Crated Weight <i>lbs</i>	248
Machine Dimensions <i>inch</i> WxDxH	29 x 32 x 40.8
Machine Depth w/Door Opening <i>inch</i>	53
Shipping Dimensions <i>inch</i> WxDxH	31 x 33.3 x 44.3
<i>SPEED</i>	
Washing Speed <i>rpm</i>	46
Extract (High Speed) <i>rpm</i>	1,000
G-force	342
<i>WATER USAGE &amp; CONNECTIONS</i>	
Water Inlets <i>inch</i>	2 @ 3/4
Drain Diameter <i>inch</i>	2
Water Consumption <i>gal</i>	- 18.5 - 22.5
<i>NOISE &amp; CYCLE TIME</i>	
Noise Level (sound power) <i>dB</i>	< 62
Program Duration (default) <i>mins</i>	35
<i>SYSTEM &amp; CONTROL</i>	
Inverter Direct Drive Motor	•
Drain System	BLDC
Auto Dosing Interface	•
Gyro Sensor	•
Damper	4 Friction Dampers
<i>ETERNAL FINISH</i>	
Drum	Stainless Steel Drum
<i>CONNECTIONS</i>	
Available Voltages <i>V/Hz/Ph</i>	120/60/1
PCB Fuse - Main Control Board <i>Amps</i>	12
PCB Fuse - Filter Assembly <i>Amps</i>	15
<i>HOSE</i>	
Inlet Hose <i>ft</i>	4.92
Drain Hose <i>ft</i>	6.82



Specifications subject to change without notice or obligation. Contact Girbau North America at (800) 256-1073 for dimensions not shown or for clarification.

gnaundry.com • (800) 256-1073 • 2500 State Road 44 • Oshkosh, WI 54904

r2 06/22



**LG**

LG COMMERCIAL  
LAUNDRY PRODUCTS  
provided exclusively by

**GIRBAU**  
NORTH AMERICA