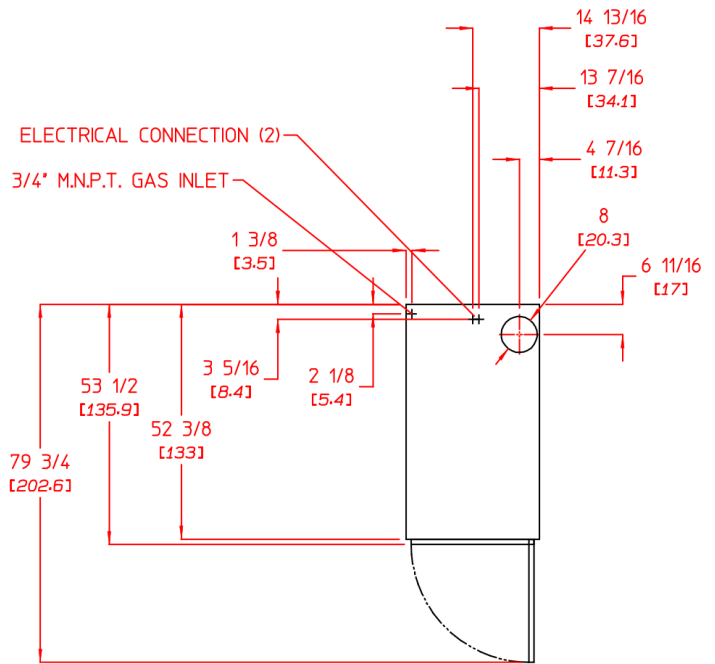
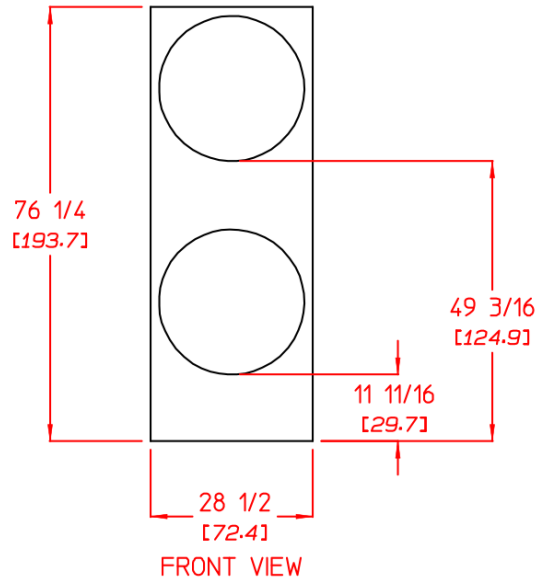


AD-236 Specifications

Maximum Capacity (dry weight) per pocket		30 lb	13.6 kg	
Tumbler Diameter		27-1/4	69.22 cm	
Tumbler Depth		30	76.2 cm	
Tumbler Volume per pocket		10.1 cu ft	286 L	
Tumbler / Drive Motor per pocket		1/2 hp	0.373 kW	
Blower / Fan Motor per pocket		1/2 hp	0.373 kW	
Door Opening (diameter)		21-1/2	54.61 cm	
Door Sill Height top pocket / bottom pocket		51-1/4 / 13-1/2	130.2 cm / 34.3 cm	
Water Connection		N / A		
Dryers per 20ft Container		11 / 22		
Dryers per 48ft Container		30 / 33		
GAS MODEL	Voltage Available		120-480V 1,3ø 2,3 50/60 Hz	
	Approximate Net Weight		850 lb 385.5 kg	
	Approximate Shipping Weight		900 lb 408.2 kg	
	Airflow per pocket	60 Hz 400 cfm	11.33 cmm	
		50 Hz 333 cfm	9.44 cmm	
	Heat Input per pocket		80,000 Btu/hr	20,160 kcal/hr
	Exhaust Connection (diameter)		8	20.32 cm
Compressed Air Connection		N / A		
Compressed Air Volume		N / A		
Inlet Pipe Connection		3/4" M.N.P.T.		
ELECTRIC MODEL	Voltage Available		N / A	
	Approximate Net Weight			
	Approximate Shipping Weight			
	Airflow per pocket			
	Exhaust Connection (diameter) per pocket			
	Compressed Air Connection			
	Compressed Air Volume			
Oven Size				
	kW	BTU/Hr	Kcal/Hr	
STEAM MODEL	Voltage Available		N / A	
	Approximate Net Weight			
	Approximate Shipping Weight			
	Airflow per pocket			
	Steam Consumption per pocket			
	Operating Steam Pressure			
	Exhaust Connection (Diameter) per pocket			
	Compressed Air Connection			
	Compressed Air Volume			
Boiler Horsepower (Normal Load) per pocket				
Supply Connection per pocket				
Return Connection per pocket				

Electrical Specs listed are per pocket

3/16



Electrical Service Specifications

GAS ONLY					
SERVICE VOLTAGE	PHASE	WIRE SERVICE	APPROX AMP DRAW		CIRCUIT BREAKER
			60 Hz	50 Hz	
120	1	2	8.7	--	15
208	1	2	5.2	--	15
240	1	2	4.8	4.7	15
208	3	3	3.0	--	15
240	3	3	3.2	--	15