

ADC AD-202

200-lb Capacity OPL Dryer

Standard Features:

- 200-lb. capacity
- 61.20 cu. ft. volume
- 590,000 Btu/hr heat input and 4,200 cfm
- Radial airflow
- Easy-to-load vertical steel doors
- Self-diagnostic microprocessor with patented auto drying feature
- Easy access to lint compartment
- Available in gas and steam heat
- Reversing basket
- Four-point roller support and drive system
- Stainless steel basket with removable panels

Optional Features:

- Stainless steel front and cabinet
- F.S.S. (Fire Suppression System)



AD-202 OPL Dryer

*Not available in United States and Canada

Why Purchase the AD-202?

Engineer-Driven Design That is Built to Last

Our dryers showcase an engineer-driven approach to design. Bearings are permanently lubricated on the motor and drive system. We use V-belts and pulleys for smooth, quiet, and trouble-free operation. Our dryer cabinets are electrostatically powder-painted inside and out, then baked at 420-degrees fahrenheit before final assembly—ensuring the hardest surface and the longest-lasting finish in the industry.

Rugged Steel Vertical Doors with Heavy-Duty Pulley System

Our heavy-duty steel door design provides ease-of-use for loading and unloading, utilizing a counter-balanced pulley system to ensure simple open and close operation. A gasketless door glass panel provides security and durability versus rubber-type gaskets.

Easy-to-Read, Multilingual Controls

ADC continues to apply innovative technology to dryer operation. Our state-of-the-art microprocessor with auto-dry capabilities, easy-to-read LED screens and our user-friendly multilingual interface positions ADC as a leader in the laundry industry.

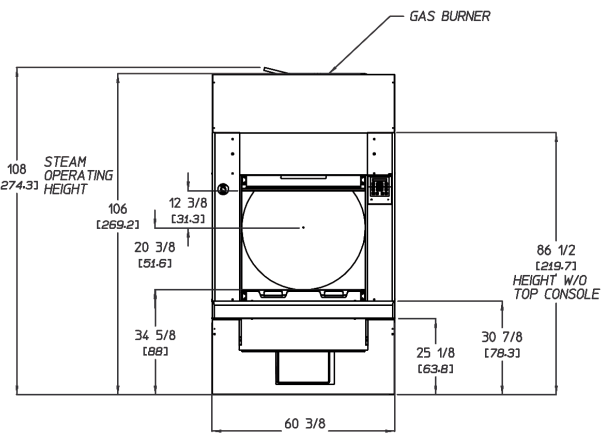
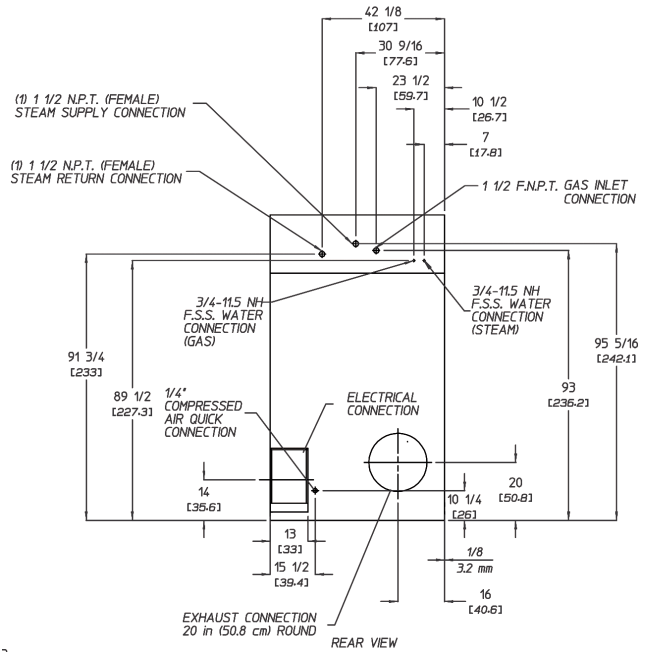
Your local ADC independent authorized distributor



ADC AD-202

AD-202 Specifications

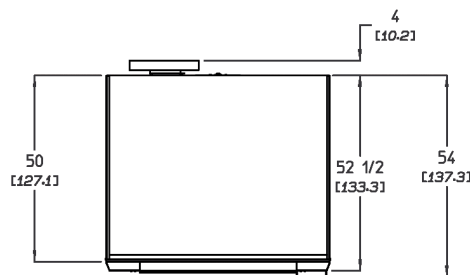
| | | | |
|-------------------------------|-------------------------------|------------------------------------|--------|
| Tumbler Capacity (dry weight) | | 200 lbs. (90.72 kg) | |
| Tumbler Diameter | | 55-5/8" (141.29 cm) | |
| Tumbler Depth | | 43-1/2" (110.49 cm) | |
| Tumbler Volume | | 61.20 cu ft (1732.99 L) | |
| Tumbler/Drive Motor | | 3 hp (2.24 kW) | |
| Blower/Fan Motor | | 7-1/2 hp (5.59 kW) | |
| Door Opening (Diameter) | | 40-3/4" (103.50 cm) | |
| Door Sill Height | | 34-5/8" (87.95 cm) | |
| Water Connection | | 3/4" - 11.5 NH | |
| Dryers per 20'/40' Container | | 3 / 7 | |
| Dryers per 48'/53' Truck | | 8 / 8 | |
| Width | | 60-3/8" | |
| Depth | | 54" | |
| Height | | 106" | |
| GAS | Voltage Available | 208-575v 3ø 3,4w 50/60 Hz | |
| | Approx. Net Weight | 2,100 lb (952.54 kg) | |
| | Approx. Shipping Weight | 2,166 lb (982.48 kg) | |
| | Airflow | 50/60 Hz 4,200 cfm (118.9 cmm) | |
| | Heat Input | 590,000 Btu/hr (148,678 kcal/hr) | |
| | Exhaust Connection (Diameter) | 20" (50.80 cm) | |
| | Compressed Air Connection | 1/4" Quick Connection | |
| | Compressed Air Volume | 4.25 cfh (0.12 cmh) | |
| | Inlet Pipe Connection | 1-1/2" F.N.P.T. | |
| ELECTRIC | Voltage Available | N/A | |
| | Approx. Net Weight | N/A | |
| | Approx. Shipping Weight | N/A | |
| | Airflow | N/A | |
| | Exhaust Connection (Diameter) | N/A | |
| | Compressed Air Connection | N/A | |
| | Compressed Air Volume | N/A | |
| | Oven Size | N/A | |
| | | kW | Btu/hr |
| STEAM | Voltage Available | 208-575v 3ø 3,4w 50/60 Hz | |
| | Approx. Net Weight | 2,349 lb (1,065.49 kg) | |
| | Approx. Shipping Weight | 2,515 lb (1,140.78 kg) | |
| | Airflow | 50/60 Hz 4,400 cfm (124.59 cmm) | |
| | Steam Consumption | 540 lb/hr (245 kg/hr) | |
| | Operating Steam Pressure | 125 psi max (8.62 bar) | |
| | Exhaust Connection (Diameter) | 20" (50.80 cm) | |
| | Compressed Air Connection | 1/4" Quick Connection | |
| | Compressed Air Volume | 4.25 cfh (0.12 cmh) | |
| | Boiler HP (Normal Load) | 14.5 Bhp | |
| | Standard Supply Connection* | (1) 1-1/2" N.P.T. (Female) | |
| Standard Return Connection* | (1) 1-1/2" N.P.T. (Female) | | |



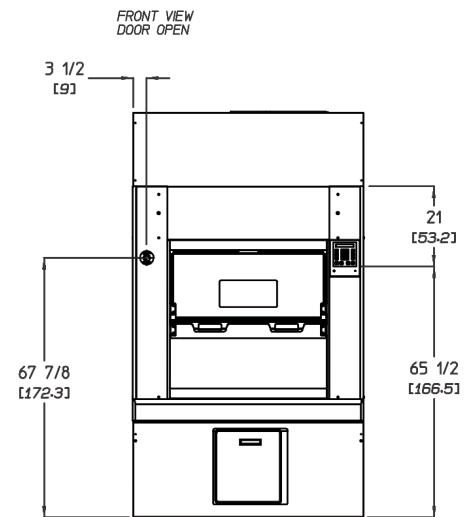
* Refer to installation manual for optional steam connections.

REV 5/30/14

| Electrical Service Specifications | | | | | |
|-----------------------------------|-------|--------------|-----------------|-------|-----------------|
| SERVICE VOLTAGE | PHASE | WIRE SERVICE | APPROX AMP DRAW | | CIRCUIT BREAKER |
| | | | 60 Hz | 50 Hz | |
| GAS & STEAM | | | | | |
| 208 | 3ø | 3 | 37.0 | -- | 50 |
| 220 | 3ø | 3 | 35.0 | -- | 50 |
| 220 | 3ø | 3 | -- | 36.0 | 50 |
| 230 | 3ø | 3 | 34.0 | -- | 50 |
| 230 | 3ø | 3 | -- | 30.0 | 50 |
| 240 | 3ø | 3 | 35.0 | -- | 50 |
| 380 | 3ø | 3 | 19.0 | -- | 30 |
| 380 | 3ø | 4 | -- | 18.0 | 30 |
| 400 | 3ø | 4 | -- | 17.0 | 30 |
| 416 | 3ø | 4 | -- | 17.0 | 30 |
| 460 | 3ø | 3 | 19.0 | -- | 30 |
| 480 | 3ø | 3 | 19.0 | -- | 30 |
| 575 | 3ø | 3 | 14.0 | -- | 20 |
| ELECTRIC | | | | | |
| 220 | 3ø | 3 | 312.0 | -- | 400.0 |
| 240 | 3ø | 3 | 338.0 | -- | 425.0 |



PLAN VIEW



FRONT VIEW
DOOR CLOSED



QY160008 1/17

88 Currant Road, Fall River, MA 02720-4781 • 508.678.9000

www.adclaundry.com