

AD-285 Specifications

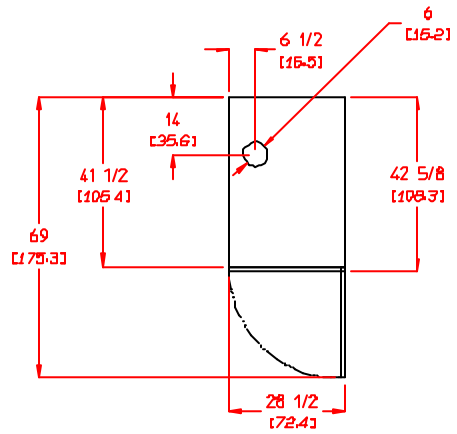
Tumbler Capacity (dry weight)	30 lbs. (13.6 kg)	
Tumbler Diameter	27-1/4" (69.22 cm)	
Tumbler Depth	30" (76.2 cm)	
Tumbler Volume	10.18 cu ft (288.27 L)	
Tumbler/Drive Motor	1/2 hp (0.37 kW)	
Blower/Fan Motor	N/A	
Door Opening (Diameter)	21-1/2" (54.61 cm)	
Door Sill Height	26-3/8" (67 cm)	
S.A.F.E. Water Connection	North America 3/4"-11.5 NH Outside North America 3/4" B.S.P.T.	
Dryers per 20'/40' Container	14 / 30	
Dryers per 48'/53' Truck	36 / 38	
Width	28-1/2" (72.4 cm)	
Depth	42-5/8" (108.3 cm)	
Height	69-1/2" (176.6 cm)	
Airflow	60 Hz 50 Hz	375 cfm (11 cmm)
gas/electric		313 cfm (8.85 cmm)
Exhaust Connection	6" (15.24 cm)	
GAS MODEL:	Approx. Net Wt.	455 lbs (206.4 kg)
	Approx. Ship Wt.	500 lbs (226.8 kg)
	Heat Input	72,000 btu/hr (18,144 kcal/hr)
	Inlet Pipe Connection	1/2" M.N.P.T. 1/2" B.S.P.T. (CE and Australia Only)

Specifications in parentheses are metric equivalents.

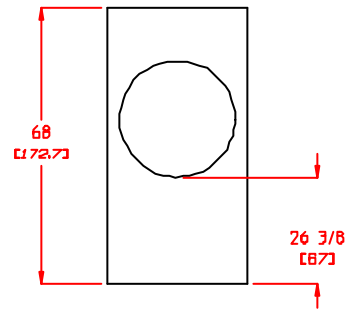
4/2/07

Electrical Service Specifications

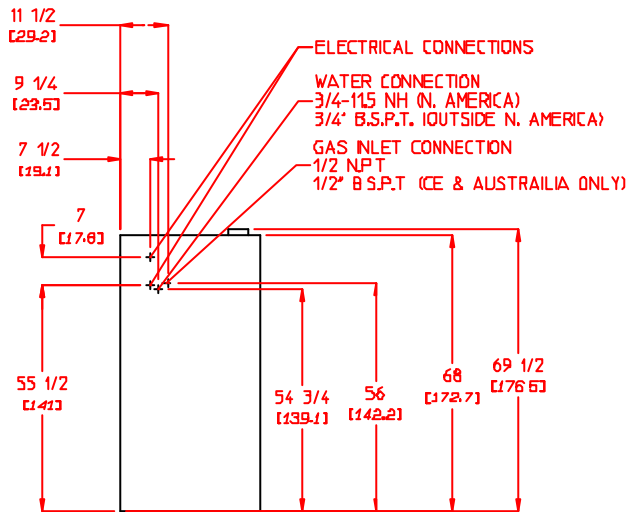
GAS					
SERVICE VOLTAGE	PHASE	WIRE SERVICE	APPROX AMP DRAW		CIRCUIT BREAKER
			60 Hz	50 Hz	
120	1ø	2	8.7	--	15
208	1ø	2	5.2	--	15
240	1ø	2	4.8	5.8	15
208	3ø	3	3.0	--	15
240	3ø	3	3.2	3.6	15
380	3ø	4*	--	2.2	15
400	3ø	4*	--	2.2	15
416	3ø	4*	--	2.3	15
460	3ø	3	2.1	--	15
480	3ø	3	2.1	--	15



PLAN VIEW



FRONT VIEW



REAR VIEW

