

ADC EcoDry ES-3535

35-lb x 2 Capacity Coin Stack Dryer

Standard Features:

- 35-lb. x 2 capacity
- Self-Diagnostic Microprocessor Control
- 100% Axial Airflow
- Completely Sealed Basket
- Non-Perforated Ribs and Basket
- Dual-Paned Door Glass
- Four-Point Roller Support System

Optional Features:

- Stainless Steel Front, Cabinet & Basket
- Residual Moisture Control (Coin RMC)
- Single Phase Reversing
- S.A.F.E. (Sensor Activated Fire Extinguishing System)
- Card Ready

Why Purchase ADC EcoDry?

100% Axial Airflow (standard)

EcoDry tumblers incorporate a 100% axial airflow design with a completely sealed basket. This ensures the most efficient drying available on the market today without sacrificing dry times.

Four-Point Roller Support System (standard)

EcoDryers are designed with a four-point roller support system, eliminating costly repairs and downtime due to trunnion failures.

Available Option: Single Phase Reversing

Single Phase Reversing is an optional feature on the ES-3535. What once was an expensive option requiring an upgrade from single phase to three phase electrical service is now available in single phase. A reversing tumbler ensures that the load doesn't "rope" or "ball up", providing a quicker, more even drying process.

Available Option: Residual Moisture Control

EcoDry utilizes a unique Residual Moisture Control (Coin RMC) sensing system to measure the presence of moisture in the load. The patented system will save the coin laundry owner utility costs as it senses when the load is dry even if there is time left on the coin meter. Coin RMC reduces the heat input while it continues to run the tumbler and provides the end-user with dry, warm clothes. Coin RMC ensures full revenue for the laundry owner while at the same time reducing utility costs.

Your local ADC independent authorized distributor



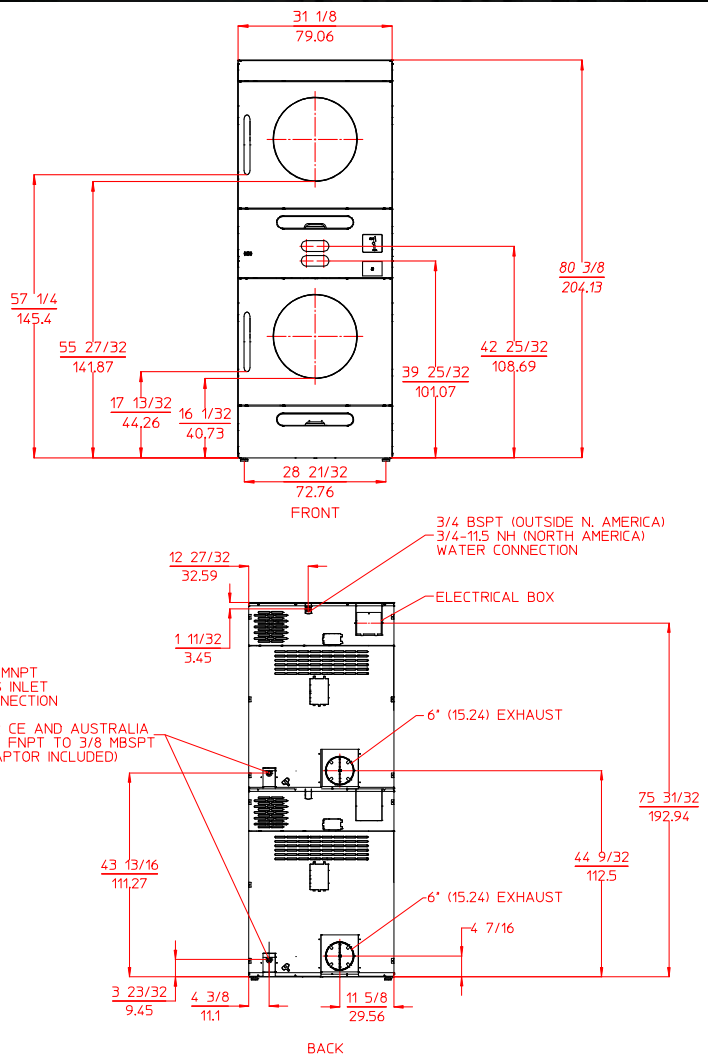
ES-3535 Coin Stack Dryer

COIN



ADC EcoDry ES-3535

ES-3535 Specifications			
Tumbler Capacity (dry weight per pocket)	35 lbs. (15.88 kg) x 2		
Tumbler Diameter	30" (76.20 cm)		
Tumbler Depth	30" (76.20 cm)		
Tumbler Volume per pocket	12.27 cu ft (347.44 L)		
Tumbler/Drive Motor per pocket	1/4 hp (0.19 kW)		
Blower/Fan Motor per pocket	1/2 hp (0.37 kW)		
Door Opening (Diameter)	19-3/8" (49.21 cm)		
Door Sill Height	top pocket 54-11/16" (138.91 cm) / bottom pocket 14-7/8" (37.78 cm)		
S.A.F.E. Water Connection	North America 3/4"-11.5 NH Outside North America 3/4" B.S.P.T.		
Dryers per 20'/40' Container	14 / 28		
Dryers per 53' Truck	36		
Width	31-1/8" (79.06 cm)		
Depth	39-5/8" (100.69 cm)		
Height	80-3/8" (204.13 cm)		
Airflow per pocket	380 cfm (10.76 cmm)		
Exhaust Connection	6" (15.24 cm)		
GAS MODEL:			
Approx. Net Wt.	600 lbs (272.16 kg)		
Approx. Ship Wt.	630 lbs (285.76 kg)		
Heat Input	64,000 btu/hr (16,138 kcal/hr)		
Inlet Pipe Connection per pocket (CE and Australia Only)	1/2" M.N.P.T. 3/8" M.B.S.P.T.		
ELECTRICAL MODEL:			
Approx. Net Wt.	600 lbs (272.16 kg)		
Approx. Ship Wt.	630 lbs (285.76 kg)		
Exhaust Connection (Diameter)	6" (15.24 cm)		
Oven Size per pocket	Oven Size per pocket		
kW	Btu/hr (kcal/hr)	kW	Btu/hr (kcal/hr)
7.9	26,962 (6,794)	12.4	42,320 (10,665)
8.3	28,327 (7,138)	12.5	42,661 (10,751)
9.0	30,716 (7,740)	13.5	46,074 (11,611)
11.3	38,566 (9,719)		



Electrical Specs are per pocket

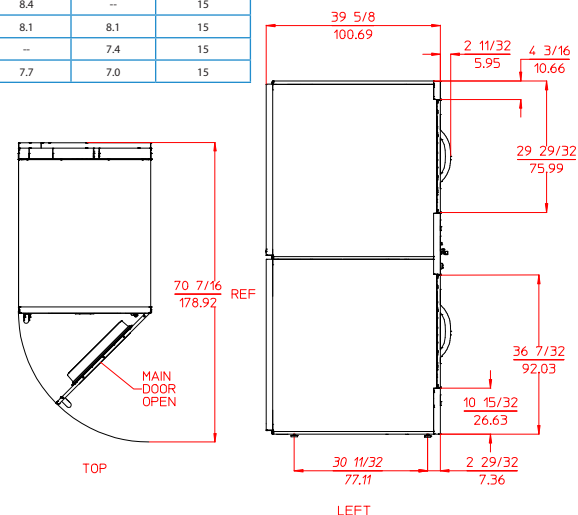
Electrical Service Specifications					
SERVICE VOLTAGE	PHASE	WIRE SERVICE	APPROX AMP DRAW		CIRCUIT BREAKER
			60 Hz	50 Hz	
GAS					
120	1ø	2	10.3	--	15
200	1ø	2	8.7	8.8	15
208	1ø	2	8.4	--	15
220	1ø	2	8.1	8.1	15
230	1ø	2	--	7.4	15
240	1ø	2	7.7	7.0	15

* Not available in steam models.
** Specifications in parentheses are metric equivalents.

9/9/09

Electrical Specs are per pocket

Electrical Service Specifications													
SERVICE VOLTAGE	PHASE	WIRE SERVICE	OVEN kW	APPROX AMP DRAW		CIRCUIT BREAKER	SERVICE VOLTAGE	PHASE	WIRE SERVICE	OVEN kW	APPROX AMP DRAW		CIRCUIT BREAKER
				60 Hz	50 Hz						60 Hz	50 Hz	
ELECTRIC													
200	1ø	2	12.5	68.4	67.7	90	220	3ø	3	11.3	35.3	--	50
208	1ø	2	7.9	43.8	--	60	230	3ø	3	12.4	--	36.5	50
220	1ø	2	11.3	54.2	--	70	240	3ø	3	13.5	37.7	--	50
230	1ø	2	8.3	--	41.3	60	380	3ø	4	11.3	22.8	22.6	40
240	1ø	2	9.0	42.7	--	60	400	3ø	3,4	12.4	--	23.1	40
208	3ø	3	13.5	43.3	--	60	416	3ø	3,4	13.5	--	23.7	40



P/N 450606.A Rev. 10/3/13

88 Currant Road Fall River, MA 02720-4781 • 508.678.9000 • Fax: 508.678.9447 • Email: sales@amdry.com

www.adclaundry.com