

# MLE/MLG20PDC

## MAYTAG® COMMERCIAL ENERGY ADVANTAGE™ STACK WASHER/DRYER



### LEGENDARY MAYTAG DEPENDABILITY

Maximizing your equipment investment for over a half century.

### A COMPLETE LINE OF ENERGY-EFFICIENT SOLUTIONS

Maytag brand offers a complete line of high-efficiency commercial laundry appliances—from energy-efficient dryers to highly efficient ENERGY STAR®-qualified washers—to help you save money and build profits.

### MICROPROCESSOR CONTROLS, COIN-DROP

Maytag® Computer Trac® controls are easy to program and operate. Plus, they give owners the flexibility to set vend prices by day, time, water temperature and Super Cycle options.

### SAVE SPACE AND CUT UTILITY COSTS

A Maytag® Commercial Energy Advantage™ stack washer/dryer gives you a full-size high-efficiency washer and a super-capacity dryer in the space of a washer alone. Plus the ENERGY STAR® rating means you'll save on utility bills.

### FOR YOUR CUSTOMERS:

- Single Payment System
- Large Capacity For Bulky Items—3.1-cu.-ft. Capacity Washer/ 6.7-cu.-ft. Capacity Dryer
- High-Speed Extraction Cuts Drying Time (up to 1,000 RPMs)
- 180° Door Opening With Heavy-Duty Die-Cast Hinge, Washer Only
- Display Panel Angled For Easy Viewing
- Easy-To-Use, One-Touch Cycle Selection
- Quick Cycle Reduces Total Wash Time
- Washer is ADA-Compliant

### FOR YOUR OPERATION:

- Super Cycle Option Increases Revenue
- Accu Trac® Audit System With Two-Way Data Communication
- Card Reader Compatible
- Automatic Load Balancing
- Built-in Oversudsing Protection
- TurboVent™ Dryer Technology
- Reversible Door, Dryer Only

### BUILT-TO-LAST™ FEATURES:

- Precision Endurance Drive
- 5-Year Limited Warranty—All Parts Covered



MODIFIED  
ENERGY FACTOR  
(MEF): 2.5  
WATER FACTOR  
(WF): 3.9



Visit [maytagcommerciallaundry.com](http://maytagcommerciallaundry.com) or call 800-662-3587



**MLE/MLG20PDC**  
**MAYTAG® COMMERCIAL**  
**ENERGY ADVANTAGE™**  
**STACK WASHER/DRYER**  
**MICROPROCESSOR CONTROLS**

**WASHER SPECIFICATIONS**

| MODEL  | MLE/MLG20PDC      |
|--|-------------------|
| <b>MOTOR</b>   |                   |
| Variable-speed, reversible, thermoprotected, high-efficiency, controlled induction | Yes               |
| Wash—HP (kw)   | .09 (.07)         |
| Extract—HP (kw)  | .54 (.40)         |
| Average washer energy consumption per cycle (kWh)                                  | 0.054             |
| <b>CAPACITY</b>  |                   |
| Cylinder volume—cu. ft. (liters)   | 3.1 (88)          |
| Cylinder diameter—in. (mm)   | 21.6 (547)        |
| Cylinder depth—in. (mm)  | 13.4 (340)        |
| <b>WATER INLET/HOSE</b>  |                   |
| Inlet hose length/drain hose length—ft. (m)  | 4 (1.22)/6 (1.83) |
| Water supply pressure—psi (bar)  | 20–100 (1–8)      |
| <b>APPROXIMATE WATER USAGE—GALLONS (LITERS)</b>                                    |                   |
| Average hot water usage, hot water cycle   | 3.3 (12.5)        |
| Average hot water usage, warm water cycle  | 1.3 (4.9)         |
| Average total water usage per cycle  | 11.96 (45.3)*     |
| <b>SPEED</b>   |                   |
| Wash speed—RPM   | 40                |
| Extract speed—max RPM/max g-force  | 1,000/306         |
| <b>SOUND LEVEL (EXPORT MODEL ONLY)</b>   |                   |
| Sound pressure level, Lpa (dBA) (Kpa: ± 3.6 dBA)                                   | 58                |

**DRYER SPECIFICATIONS**

|  |                |
|--|----------------|
| <b>MOTOR</b>   |                |
| Variable-speed, reversible, thermoprotected, high-efficiency, controlled induction | Yes            |
| HP (kw)  | .33 (.25)      |
| Tumble speed—RPM   | 50 ± 1         |
| <b>CAPACITY—CU. FT. (LITERS)</b>   |                |
| 6.7 (190)  |                |
| <b>HEATING ELEMENT RATING</b>  |                |
| MLE electric domestic models/export models—watts                                   | 5,600/4,600    |
| MLE electric Canadian models—watts   | 5,250          |
| MLG gas domestic models—BTU/hr. (kcal/hr.)   | 24,000 (6,048) |
| MLG gas export models—BTU/hr. (kcal/hr.)   | 20,000 (5,040) |
| <b>GAS INLET</b>   |                |
| MLG model—in.  | 3/8 N.P.T.     |
| <b>AIRFLOW</b>   |                |
| MLG gas models—cfm (cmm)   | 230 (6.5)      |
| MLE electric models—cfm (cmm)  | 215 (6.1)      |

**MACHINE SPECIFICATIONS**

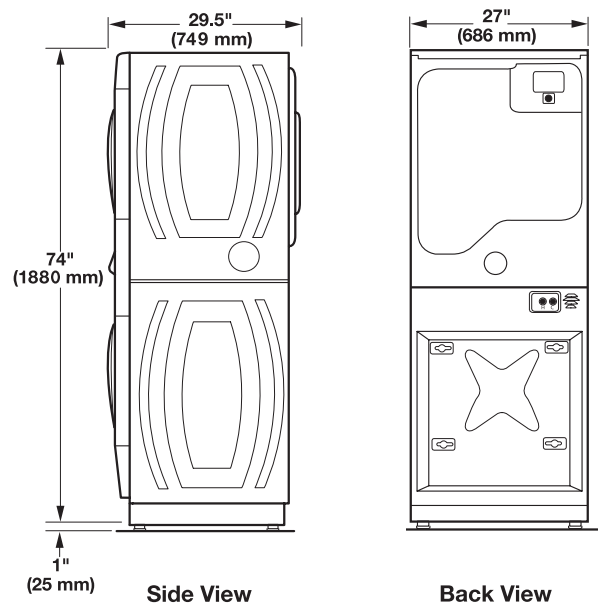
|   |                     |
|---|---------------------|
| <b>ADJUSTABLE LEVELING LEGS</b>                         | Yes                 |
| <b>COLOR</b>  | White               |
| <b>APPROXIMATE WEIGHT</b>                               |                     |
| Crated—lbs (kg) electric/gas                            | 383 (173)/389 (176) |
| Uncrated—lbs (kg) electric/gas                          | 372 (169)/378 (171) |
| <b>DIMENSIONS</b>                                       |                     |
| Width—in. (mm)  | 27 (686)            |
| Depth—in. (mm)  | 29.5 (749)          |
| Height—in. (mm)   | 74 (1,880)          |
| Door opening—washer—sq. in.                             | 143                 |
| Door opening—dryer—sq. in.                              | 191                 |
| <b>ELECTRICAL REQUIREMENTS—VOLTS/HZ**</b>               |                     |
| MLE electric domestic model—washer pocket—dryer pocket  | 120/60—240/60       |
| MLE electric Canadian model—washer pocket—dryer pocket  | N/A—240/60          |
| MLG gas domestic model—washer pocket—dryer pocket       | N/A—120/60          |
| MLE & MLG export models—washer pocket—dryer pocket      | N/A—220—240/50      |
| <b>BREAKER/FUSE MINIMUM REQUIREMENTS—AMPS</b>           |                     |
| MLE electric domestic model—washer pocket—dryer pocket  | 15—30               |
| MLE electric Canadian models—washer pocket—dryer pocket | N/A—40              |
| MLG gas domestic model—washer pocket—dryer pocket       | N/A—15              |
| MLE electric export models—washer pocket—dryer pocket   | N/A—45A             |
| MLG gas export model—washer pocket—dryer pocket         | N/A—12A             |

\*Average based on DOE J11 testing with factory preset cycles. Because of continuous product improvements, Maytag reserves the right to change specifications without notice.



**5-YEAR LIMITED WARRANTY**  
**ALL PARTS COVERED**

For a period from the date of original purchase through the time listed above, the designated parts that fail in normal commercial use will be repaired or replaced free of charge for the part itself, with the owner paying all other costs, including labor, transportation and customs duty. Chemical damage is excluded from all warranty coverage. See complete warranty for details.



\*\*It is recommended that a separate circuit serving only this washer/dryer be provided.



**OUR COMMITMENT TO DEPENDABLE QUALITY**

At Maytag brand, we believe durable goods should remain just that. That's why every Maytag® product is constructed of the highest-quality materials and with the utmost in precision craftsmanship. It's also why we stand behind our equipment with solid service and support from our professional Maytag laundry suppliers. Simply put, when you choose Maytag® products, you ensure your peace of mind.