

MLG30PD

MAYTAG® COMMERCIAL
DEPENDABLE CARE®
MULTI-LOAD STACK DRYER



LEGENDARY MAYTAG DEPENDABILITY

Maximizing your equipment investment for over a half century.



MICROPROCESSOR CONTROLS

Maytag® Computer Trac® controls let you adjust prices by cycle, day and time—and they provide simple one-touch cycle selection.

FOR YOUR CUSTOMERS:

- Fast-Drying Axial Airflow System
- ThermoGuard™ System Helps Prevent Laundry Overheating
- Extra-Large Door Openings
- Time Remaining Digital Display
- Microprocessor Controls

FOR YOUR OPERATION:

- Single Coin Box For Both Dryers
- Front Access For Easier Self Service
- One 8" Vent
- 2 Large-Capacity Lint Drawers

BUILT-TO-LAST FEATURES:

- Heavy-Duty Enclosed Motors
- Permanently Lubricated Bearings
- Rear Belt Drive System
- 5-Year Limited Warranty—All Parts Covered

LAUNDRY SOLUTIONS
YOU CAN *DEPEND* ON.

THERMOGUARD™ SYSTEM
PROTECTS LAUNDRY
AGAINST OVERHEATING

visit maytagcommerciallaundry.com
or call 800-662-3587



OUR COMMITMENT TO DEPENDABLE QUALITY

At Maytag brand, we believe durable goods should remain just that. That's why every Maytag® product is constructed of the highest-quality materials and with the utmost in precision craftsmanship. It's also why we stand behind our equipment with solid service and support from our professional Maytag laundry suppliers. Simply put, when you choose Maytag® products, you ensure your peace of mind.



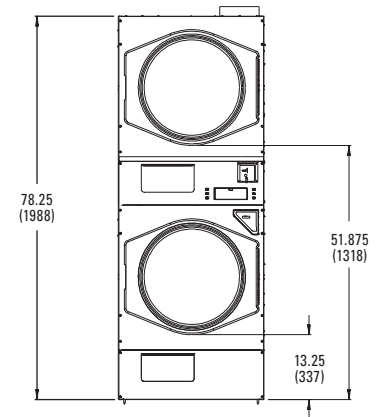
MLG30PD

MAYTAG® COMMERCIAL DEPENDABLE CARE® MULTI-LOAD STACK DRYER

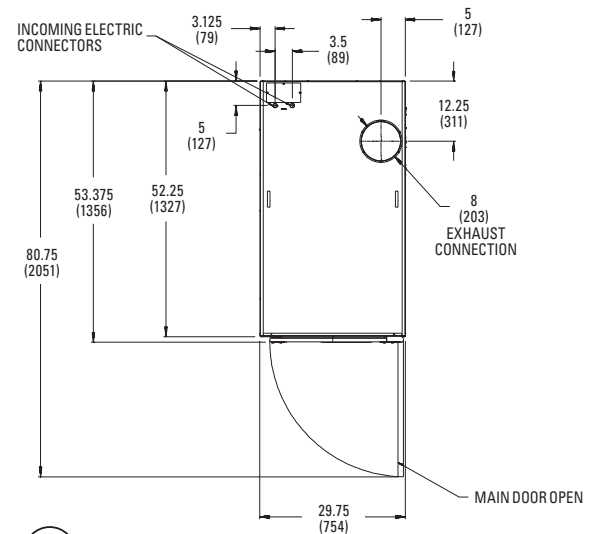
Maytag® Commercial Dependable Care® Multi-Load Stack Dryer

MICROPROCESSOR COIN-DROP

DRYER SPECIFICATIONS	
MODEL	MLG30PD
MOTOR	
Single-phase, thermoprotected against overload, auto-reset	•
HP (kw)	.50 (0.37)
Tumble speed — rpm	43 + 1
CAPACITY	
Lbs. (kg) per drying chamber	30 (13.6)
Cu. ft. (L) per drying chamber	10.1 (286)
AIRFLOW	
Cfm (cmm) per drying chamber	400 (11.3)
TUMBLERS	
Diameter — in. (mm)	27.25 (692.1)
Depth — in. (mm)	30 (762)
DOOR OPENING DIAMETER	
In. (mm)	21.5 (546.1)
ELECTRICAL REQUIREMENTS	
BREAKER/FUSE REQUIREMENTS	
Amps per drying chamber	15
EXHAUST DUCT DIAMETER	
In. (mm)	8 (203)
GAS RATING	
BTU/hr. (kcal/hr.) per drying chamber	72,000 (18,143)
GAS INLET PER POCKET	
M.N.P.T. in. (mm)	1 inlet, ½ (12.7)
ADJUSTABLE LEVELING LEGS	
	•
COLORS	
White	•
Stainless Steel	•
APPROXIMATE WEIGHT	
Crated — lbs. (kg)	710 (322)
Uncrated — lbs. (kg)	675 (306)
DIMENSIONS	
Height — in. (mm)	78.25 (1988)
Width — in. (mm)	29.75 (754)
Depth — in. (mm)	53.4 (1355)
Door opening diameter — in. (mm)	21.5 (546.1)
See specific instructions for proper installation. Because of continuous product improvement, Maytag reserves the right to change specifications without notice.	



FRONT VIEW



TOP VIEW



5-YEAR LIMITED WARRANTY ALL PARTS COVERED

For a period from the date of original purchase through the time listed above, the designated parts that fail in normal commercial use will be repaired or replaced free of charge for the part itself, with the owner paying all other costs, including labor, transportation and customs duty. Chemical damage is excluded from all warranty coverage. See complete warranty for details.