



SPEED QUEEN® MULTI-HOUSING LAUNDRY SOLUTIONS

# Stack Washer/Dryer

## Quantum™ Gold

Prep for Card | Coin Drop Installed | Prep for Coin

### Built for Reliable Performance

Speed Queen's stack washer/dryer brings an innovative stacked concept that takes up half the floor space that a conventional washer and dryer does when situated side by side. The freestanding softmount design can be installed on all floor types or levels. Both washer and dryer have the same hookups and connections as a standard washer and dryer. No additional plumbing or electrical change is needed. Speed Queen's stack washer/dryer combines heavy-duty construction with reliable operation proven to stand the test of time. They're designed with less moving parts for one reason: so you'll face fewer maintenance problems and less wear and tear down the road. Front load products have met every design standard to be 100% ADA compliant.



ENERGY STAR®  
Certified Washer

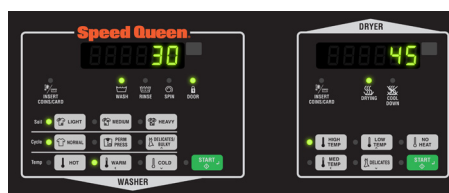
- Integrated meter case
- Large capacity meter case standard
- Wash Alert™ capability

#### Washer (ADA Compliant)

- Rugged suspension system
- Industry leading 1200 RPM spin speed exerts 440 G-force extraction
- Durable stainless steel washtub
- Four-compartment soap dispenser
- Extra-wide 15.5" door opening and 180° door swing

#### Dryer

- Upfront lint filter easy to clean and secured
- Industry's largest door opening 2.06 sq. ft. (1914 cm<sup>2</sup>)
- Quiet, efficient blower system



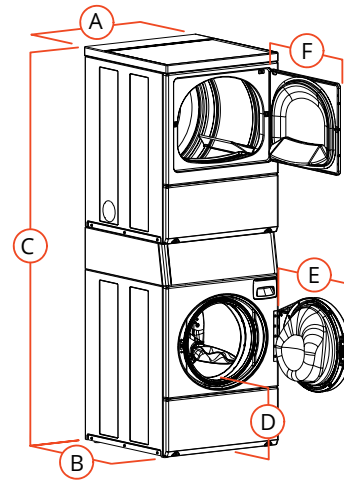
### Quantum™ Gold Control

The cutting edge Quantum™ control system from Speed Queen® gives you the freedom to manage laundry your way with the power to achieve unmatched levels of revenue. Quantum™ Gold provides users with additional cycle choices while offering new options to help lower operating costs and incorporates tools and options to increase revenue.

# Stack Washer/Dryer




## Quantum™ Gold

Specifications		
Control Option		Quantum Gold
Color		White
Capacity - lb (kg)	Washer	21.5 (9.5)
	Dryer	18 (8.2)
Overall Width - in (mm)		26.875 (683)
Overall Depth - in (mm)		27.73 (704)
Overall Height - in (mm)		78.17 (1986)
Cylinder Volume cu. ft. (liters)	Washer	3.42 (96.8)
	Dryer	7.0 (198)
Motor Size - HP (kW)		0.9 (0.67)
Type Of Gas (Gas Models Only)		Factory Equipped Natural
Water Consumption Per Cycle - g (liter)**		13.68 (51.78)
IWF (Water Factor) - gal/ft <sup>3</sup> (liters/liter/cycle)**		4.0 (0.53)
MEF <sub>2</sub> (Modified Energy Factor) ft <sup>3</sup> /kWh/cycle (liters/kWh/cycle)**		2.20 (62.3)
Available Water Temperatures		Hot, Warm, Cold
Available Cycles	Washer	Light, Medium, Heavy, Normal, Perm Press, Delicates/Bulky
	Dryer	High, Medium, Low, Delicate, No Heat
Air Outlet Diameter - in (mm)		4 (102)
Exhaust Airflow - cfm (liters/sec)		220 (105)
Electrical Requirements	Electric	120/240/60/1-30 amp 120/208/60/1-30 amp
	Gas	120/60/1-15 amp
Heating Element	Electric	5350W, 240V 4750W, 208V
	Gas	25,000 Btu
Net Weight - lb (kg)		385 (175)
Shipping Weight - lb (kg)		417 (189)
Shipping Dimensions Approx. - in (mm)	Width	34 (864)
	Depth	30 (762)
	Height	80 (2032)
Agency Approvals	Electric	cULus
	Gas	cCSAus



A. Overall Width - in (mm)	26.875 (683)
B. Overall Depth - in (mm)	28 (711)
C. Overall Height - in (mm)	78.17 (1986)
D. Floor To Door Opening - in (mm)	14.6 (371)*
E. Door Swing - in (mm)	24 (610)

\* For ADA compliance turn legs out from base 0.5 inches

Models	Voltage/Freq/PH	Drain	Activation
STENCASP175TW01	120/240/60/1 Electric	Pump	Coin Drop Installed 
STGNCASP115TW01	120/60/1 Gas	Pump	
STENXASP175TW01	120/240/60/1 Electric	Pump	Prep for Coin 
STGNXASP115TW01	120/60/1 Gas	Pump	
STGNXASG115TW01	120/60/1 Gas	Gravity	
STENYASP175TW01	120/240/60/1 Electric	Pump	Prep for Card 
STGNYASP115TW01	120/60/1 Gas	Pump	

\* Wireless Network Board Factory Installed

NOTE: Stack washer/dryer requires two power cords. One for washer, one for dryer.

Electric dryers come equipped for 240/60/1 operation. They can be field converted to operate on 208/60/1 with optional 61928 conversion kit. Gas dryers can be field converted for operation on LP gas with optional 458P3 conversion kit.

\*\* Average usage based on multiple load sizes and current DOE test protocol. Real usage will vary depending on load size, composition and cycle selectivity.

For the most accurate information, the installation guide should be used for all design and construction purposes. Due to continuous product improvements, design and specifications subject to change without notice. The quality management systems at Alliance Laundry Systems are registered to ISO 9001.